



Shenzhen HB Science & Technology Co., Ltd

zhren

# Technical Specification

To :  
Date :

*CPT TFT-LCD*

**CLAA170EA02 Y**

**ACCEPTED BY :**

APPROVED BY	CHECKED BY	PREPARED BY
		TFT-LCD Product Planning Management Division.

**Shenzhen HB Science & Technology Co., Ltd**

BLOCK 1, LONGWU INDUSTRIAL ESTATE  
SHANGTANG VILLEGE, LONGHUA TOWN  
BAOAN DISTRICT, SHENZHEN CITY  
GUANG TONG PROVINCE, P.R.CHINA

TEL: +86-755-28115516 FAX: +86-755-28115795

Doc.No:	CLAA170EA02 Y	Issue Date:	
---------	---------------	-------------	--

## 1.OVERVIEW

CLAA170EA02 is 17.0" color TFT-LCD (Thin Film Transistor Liquid Crystal Display) module composed of LCD panel, driver ICs, control circuit and backlight.

By applying 8 bit digital data, 1280×1024, 16.2M-color(6Bit+FRC) images are displayed on the 17.0" diagonal screen. Input power voltage is 5.0V for LCD driving.

Inverter for backlight is not included in this module. General specification are summarized in the following table:

ITEM	SPECIFICATION
Display Area(mm)	337.920(H)x270.336(V) (17.0-inch diagonal)
Number of Pixels	1280(H)x1024(V)
Pixel Pitch(mm)	0.264(H)x0.264(V)
Color Pixel Arrangement	RGB vertical stripe
Display Mode	normally white, TN
Number of Colors	16.2M(6 Bit+FRC)
Brightness(cd/m <sup>2</sup> )	300 cd/m <sup>2</sup> (Typ.)(Center point, Lamp current=7.0 mA)
Viewing Angle	140/130(Typ.)
Surface Treatment	Anti-glare
Electrical Interface	LVDS , 2Ch
Total Module Power(W)	19.0+3.0 (Typ.)
Optimum Viewing Angle	6 o'clock
Module Size(mm)	358.5(W)x296.5(H)x17.0(D)
Module Weight(g)	1800
Backlight Unit	CCFL, 4 tables, edge-light(top*2/bottom*2)

The LCD Products listed on this document are not suitable for use of aerospace equipment, submarine cables, nuclear reactor control system and life support systems. If customers intend to use these LCD products for above application or not listed in "Standard" as follows, please contact our sales people in advance.

Standard: Computer, Office equipment, Communication equipment, Test and Measurement equipment, Machine tool, Industrial robot, Audio and Visual equipment, Other consumer products.

## 2. ABSOLUTE MAXIMUM RATINGS

ITEM	SYMBOL	MIN.	MAX.	UNIT
Power Supply Voltage for LCD	VCC	0	6.5	V
Lamp Voltage	VL	0	2500	Vrms
Lamp Current	IL	0	10.0	mArms
Lamp Frequency	FL	-	100	kHz
Operation Temperature *1)	Top	0	50	
Storage Temperature *1)	Tstg	-20	60	

Note:

\*1)Humidity

Relative Humidity 90% (Ta 40 )

Wet Bulb Temperature 39 (Ta 40 )

### 3. ELECTRICAL CHARACTERISTICS

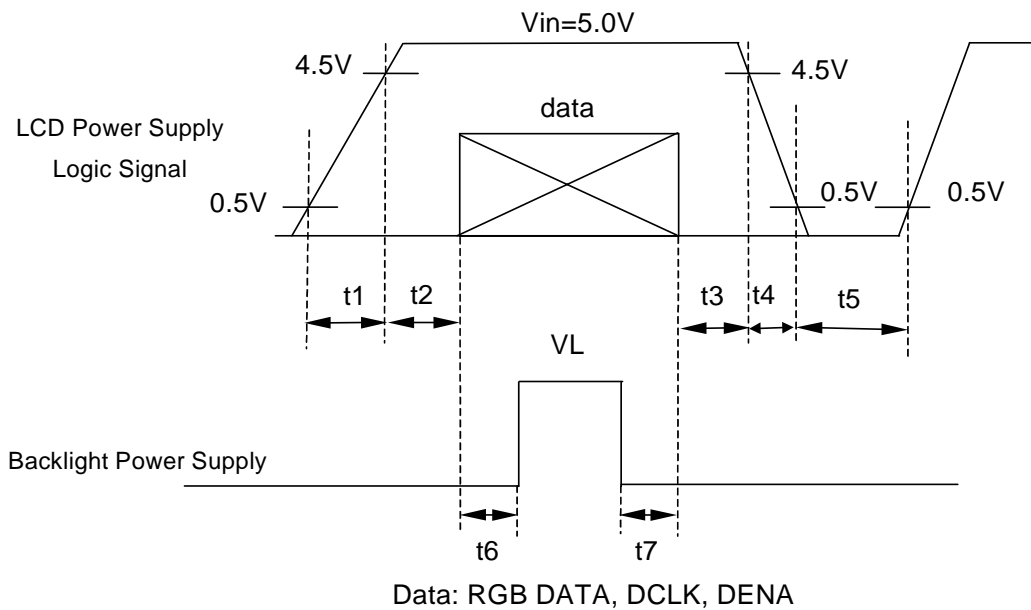
(a)TFT-LCD

ITEM	SYMBOL	MIN	TYP	MAX	UNIT	Remark	
Power Supply Voltage for LCD	Vin	4.5	5.0	5.5	V	Note1	
Power Supply Current for LCD	Iin	-	600	900	mA	Note2	
Permissive Input Ripple Voltage	VRP	-	-	100	mVp-p	Vcc=5.0V	
Differential impedance	Zm	90	100	110	$\Omega$		
Logic input Voltage LVDS: IN+ , IN-	Common Mode Voltage	VCM	1.125	1.25	1.375	V	
	Differential Input Voltage	VID	250	350	450	mV	
	Threshold Voltage(High)	VTH	-	-	100	mV	When VCM=+1.2V
	Threshold Voltage(Low)	VTL	-100	-	-	mV	
Tolerance of VID	VID	-	-	35	mV		
Tolerance of VCM	VCM	-	-	35	mV		

[Note 1]

**VCC-turn-on conditions:**

- t1 10ms                      1 sec    t5
- 0 < t2 50ms                200ms    t6
- 0 < t3 50ms                200ms    t7
- 0 < t4 10ms

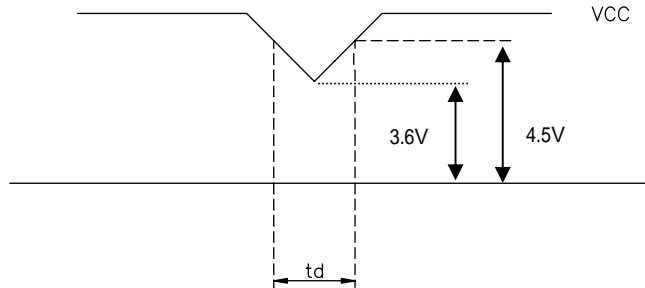


**VCC-dip conditions**

1)When  $3.6V < V_{in(min)} < 4.5V$   
 $t_d = 10\text{ ms}$

2)When  $V_{in} > 4.5V$ , VCC-dip conditions should also follow the VCC-turn-on conditions.

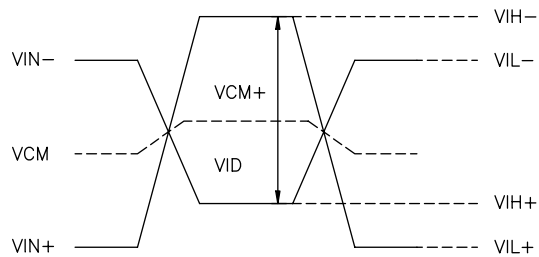
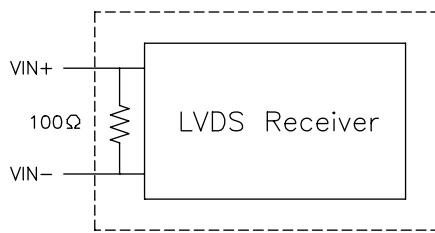
3)If  $V_{in} < 3.6V$ , it works abnormal that must reset power.



**[Note 2] Typical current situation :**

64 gray scale level, 1280 line mode,  $V_{CC}=5.0V$ ,  $F_h=64Khz$ ,  $F_v=60Hz$ ,  $F_{clk}=54\text{ MHz}$  .

**[Note 3] LVDS Signal definition :**



$$\begin{aligned}
 VID &= VIN_+ - VIN_- , \\
 VCM &= | VCM_+ - VCM_- | , \\
 VID &= | VID_+ - VID_- | , \\
 VID_+ &= | VIH_+ - VIH_- | , \\
 VID_- &= | VIL_+ - VIL_- | , \\
 VCM &= (VIN_+ + VIN_-) / 2 , \\
 VCM_+ &= (VIH_+ + VIH_-) / 2 , \\
 VCM_- &= (VIL_+ + VIL_-) / 2 ,
 \end{aligned}$$

$VIN_+$  = Positive differential DATA & CLK Input  
 $VIN_-$  = Negative differential DATA & CLK Input

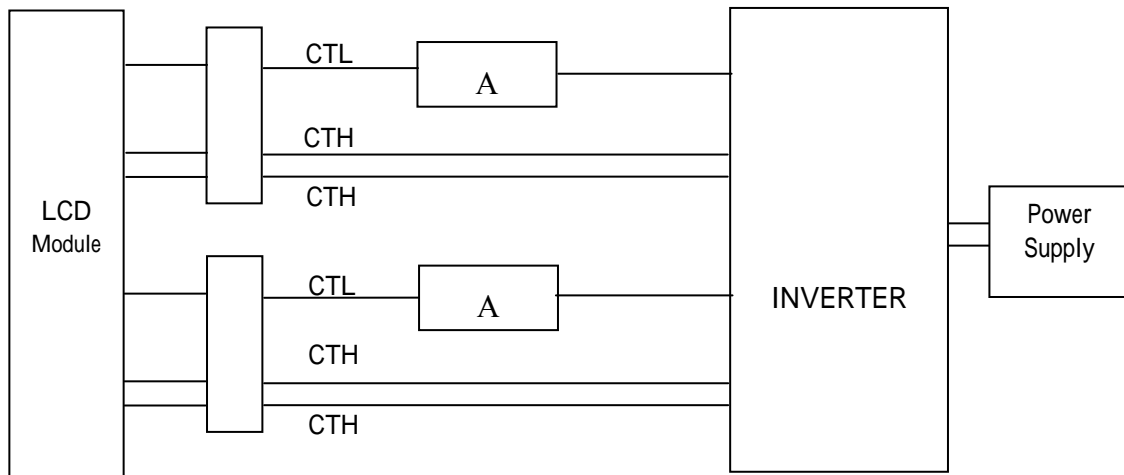
(b) Backlight

Ta=25

ITEM	SYMBOL	MIN	TYP	MAX	UNIT	REMARK
Lamp Voltage	VL	-	710	-	V	IL=7.0mA
Lamp Current	IL	5.0	7.0	8.0	mA	Note1
Interter Frequency	FL	45	50	70	kHz	Note2
Starting Lamp Voltage	VS	1350	-	-	V	Tb=0
		1080	-	-	V	Ta=25
Lamp life Time	LT	40,000	-	-	hr	IL=7.0mA Continuous Operation

[Note 1]

Lamp Current measurement method ( The current meter is inserted in cold line)

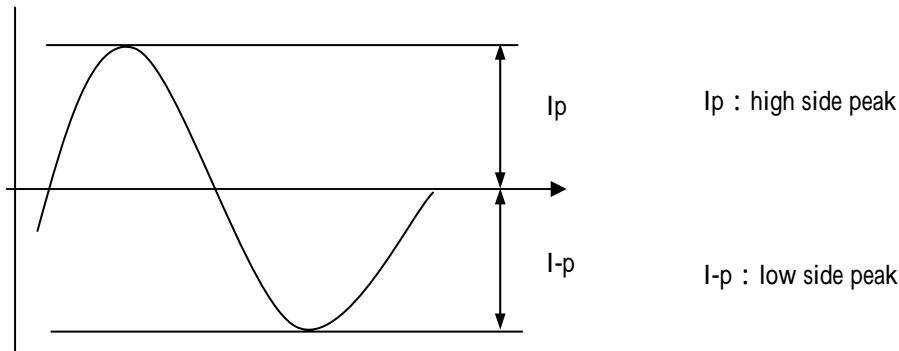


[Note 2]

Lamp frequency of inverter may produce interference with horizontal synchronous frequency, and this may cause horizontal beat on the display. Therefore, please adjust lamp frequency, and keep inverter as far from module as possible or use electronic shielding between inverter and module to avoid the interference.

The degrees of unbalance : < 10%

The ratio of wave height : < 2 ±10%



\* : The degrees of unbalance =  $| I_p - I-p | / I_{rms} \times 100 (\%)$

\* : The ratio of wave height =  $I_p \text{ (or } I-p) / I_{rms}$

[Note 3] Lamp life time is defined as the time either when the brightness becomes 50% of the initial value, or when the starting lamp voltage does not meet the value specified in this table .

#### 4. INTERFACE PIN CONNECTION

##### (a) CN1(Data Signal and Power Supply)

Used connector: FI-XB30S-HF10(JAE)

Mating connector type : FI-X30S-H(JAE)

Pin No. of used connector	symbol	Function
1	RX00-	minus signal of odd channel 0(LVDS)
2	RX00+	plus signal of odd channel 0(LVDS)
3	RX01-	minus signal of odd channel 1(LVDS)
4	RX01+	plus signal of odd channel 1(LVDS)
5	RX02-	minus signal of odd channel 2(LVDS)
6	RX02+	plus signal of odd channel 2(LVDS)
7	GND	ground
8	RXOC-	minus signal of odd clock channel (LVDS)
9	RXOC+	plus signal of odd clock channel (LVDS)
10	RX03-	minus signal of odd channel 3(LVDS)
11	RX03+	plus signal of odd channel 3(LVDS)
12	RXE0-	minus signal of even channel 0(LVDS)
13	RXE0+	plus signal of even channel 0(LVDS)
14	GND	ground
15	RXE1-	minus signal of even channel 1(LVDS)
16	RXE1+	plus signal of even channel 1(LVDS)
17	GND	ground
18	RXE2-	minus signal of even channel 2(LVDS)
19	RXE2+	plus signal of even channel 2(LVDS)
20	RXEC-	minus signal of even clock channel (LVDS)
21	RXEC+	plus signal of even clock channel (LVDS)
22	RXE3-	minus signal of even channel 3(LVDS)
23	RXE3+	plus signal of even channel 3(LVDS)
24	GND	ground
25	NC	NC
26	NC	Test pin
27	NC	NC
28	VCC	Power supply input voltage(5.0 V)
29	VCC	Power supply input voltage(5.0 V)
30	VCC	Power supply input voltage(5.0 V)

##### (b) CN2,3(BACKLIGHT)

Backlight-side connector: BHR-04VS-1(JST)

Inverter-side connector: SM04(4.0)B-BHS-1-TB(JST)

Pin No.	Symbol	Function
1	CTH1	VBLH1(HIGH VOLTAGE)
2	CTH2	VBLH2(HIGH VOLTAGE)
3	-	-
4	CTL	VBLL(LOW VOLTAGE)

[Note]

$$VBLH-VBLL = VL$$

## 5. INTERFACE TIMING

### (a) Timing Specifications

ITEM		SYMBOL	MIN	TYP	MAX	UNIT	
LCD Timing	DCLK	Frequency	$f_{CLK}$	50	54	70	MHz
		Period	$t_{CLK}$	14.8	18.5	20	ns
	DATA Enable DENA	Horizontal Line Rate	Lr	--	64	82	KHz
		Horizontal Active Time	tHA	640	640	640	tCLK
		Horizontal Blank Time	tHB	70	204	-	tCLK
		Horizontal Total Time	tH	710	844	-	tCLK
		Vertical Active Time	tVA	1024	1024	1024	tH
		Vertical Blank Time	tVB	22	42	-	tH
		Vertical Total Time	tV	1046	1066	-	tH
		Vertical Frame Rate	Fr	55	60	75	Hz

[Note]

- 1) DENA (Data Enable) should always be positive polarity as shown in the timing specification.
- 2) DCLK should appear during all blanking period, and HD should appear during blanking period of frame cycle.
- 3) LVDS transmitter IC : DS90C383MTD(NS) or SN75LVDS83(TI) .
- 4) Using LVDS IC

Receiver	Transmitter
DS90C384MTD(NS)	DS90C383MTD(NS)
SN75LVDS82(TI)	SN75LVDS83(TI)

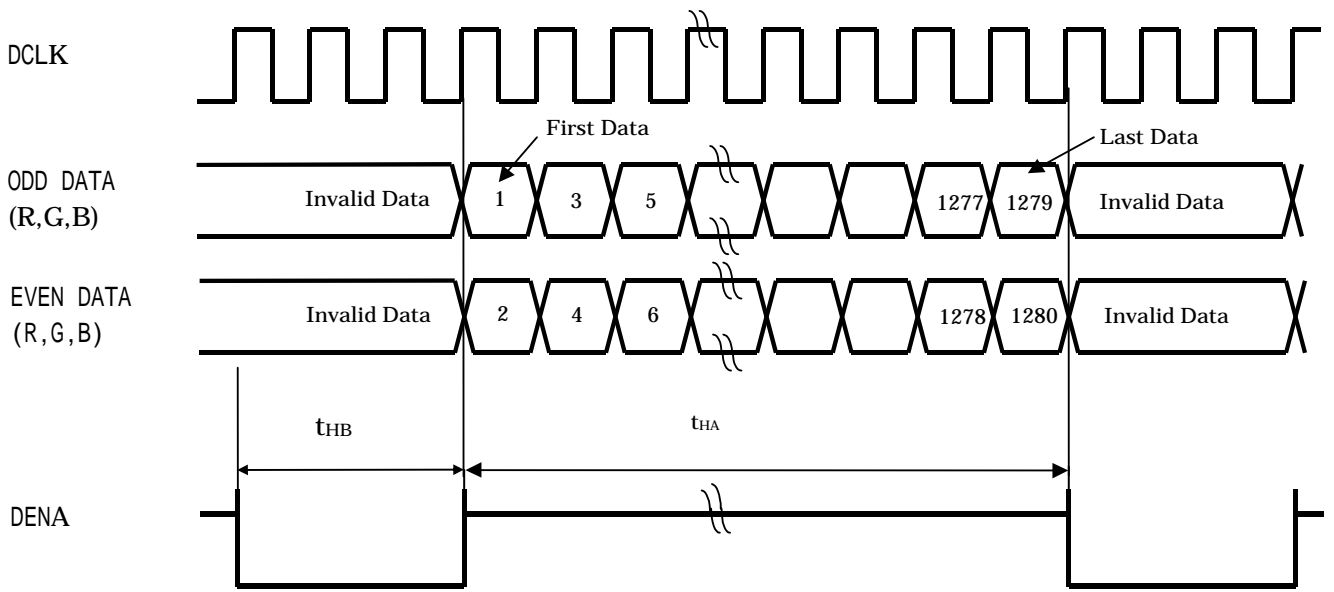
[Note]

Required signal assignment for flat link transmitter

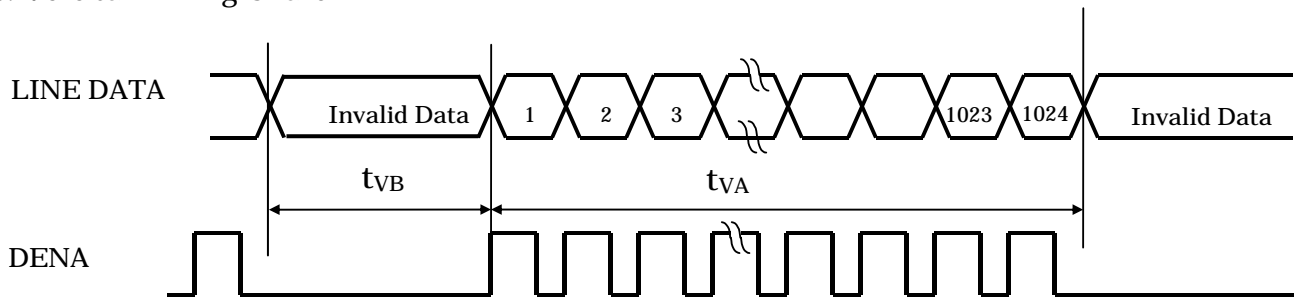
Pin	Pin Name	Require Signal	Pin	Pin Name	Require Signal
1	VCC	Power Supply for TTL Input	29	GND	Ground pin for TTL
2	D5	TTL Input (R7)	30	D26	TTL Input(DE)
3	D6	TTL Input (R5)	31	TxCLKIN	TTL Level clock Input
4	D7	TTL Input (G0)	32	PWR DWN	Power Down Input
5	GND	Ground pin for TTL	33	PLL GND	Ground pin for PLL
6	D8	TTL Input (G1)	34	PLL VCC	Power Supply for PLL
7	D9	TTL Input (G2)	35	PLL GND	Ground pin for PLL
8	D10	TTL Input (G6)	36	LVDS GND	Ground pin for LVDS
9	VCC	Power Supply for TTL Input	37	TxOUT3+	Positive LVDS differential data output
10	D11	TTL Input (G7)	38	TxOUT3-	Negative LVDS differential data output
11	D12	TTL Input (G3)	39	TxCLKOUT+	Positive LVDS differential clock
12	D13	TTL Input (G4)	40	TxCLKOUT-	Negative LVDS differential clock
13	GND	Ground pin for TTL	41	TxOUT2+	Positive LDVS differential data output
14	D14	TTL Input (G5)	42	TxOUT2-	Negative LVDS differential data output
15	D15	TTL Input (B0)	43	LVDS GND	Ground pin for LVDS
16	D16	TTL Input (B6)	44	LVDS VCC	Power Supply for LVDS
17	VCC	Power Supply for TTL Input	45	TxOUT1+	Positive LVDS differential data output
18	D17	TTL Input (B7)	46	TxOUT1-	Negative LVDS differential data output
19	D18	TTL Input (B1)	47	TxOUT0+	Positive LVDS differential data output
20	D19	TTL Input (B2)	48	TxOUT0-	Negative LVDS differential data output
21	GND	Ground pin for TTL	49	LVDS GND	Ground pin for TTL
22	D20	TTL Input (B3)	50	D27	TTL Input (R6)
23	D21	TTL Input (B4)	51	D0	TTL Input (R0)
24	D22	TTL Input (B5)	52	D1	TTL Input (R1)
25	D23	TTL Input (LVDS)	53	GND	Ground pin for TTL
26	VCC	Power Supply for TTL Input	54	D2	TTL Input (R2)
27	D24	TTL Input (HSYNC)	55	D3	TTL Input (R3)
28	D25	TTL Input (VSYNC)	56	D4	TTL Input (R4)

(b) Timing Chart

a. Horizontal Timing Chart

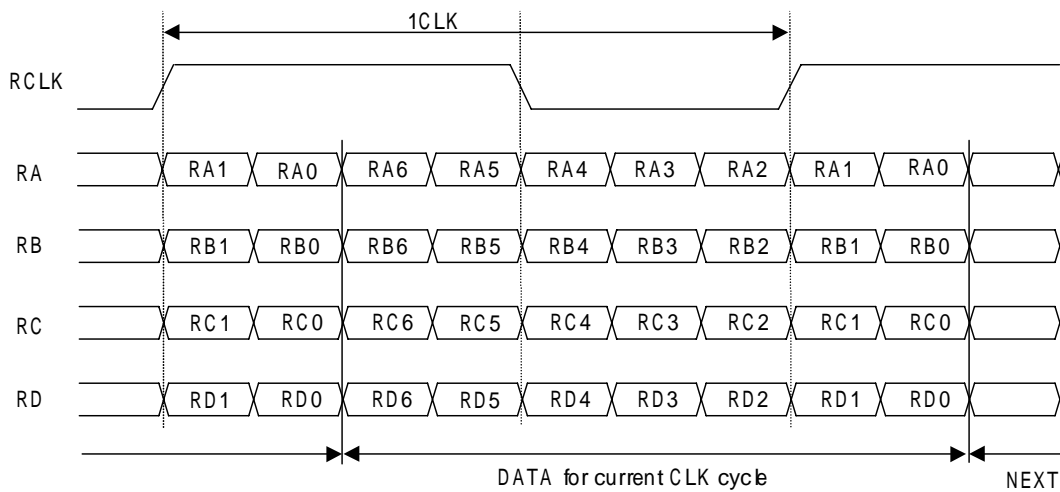


b. Vertical Timing Chart



(C) LVDS DATA

a. Timing Chart





## b.Data mapping (6bit + FRC or 6bit selection)

Cell	Input Pin *)	Data(6bit + FRC)	Data(6bit)
RA0	TxIN0	RI0	0
RA1	TxIN1	RI1	0
RA2	TxIN2	RI2	RI0
RA3	TxIN3	RI3	RI1
RA4	TxIN4	RI4	RI2
RA5	TxIN6	RI5	RI3
RA6	TxIN7	GI0	0
RB0	TxIN8	GI1	0
RB1	TxIN9	GI2	GI0
RB2	TxIN12	GI3	GI1
RB3	TxIN13	GI4	GI2
RB4	TxIN14	GI5	GI3
RB5	TxIN15	BI0	0
RB6	TxIN18	BI1	0
RC0	TxIN19	BI2	BI0
RC1	TxIN20	BI3	BI1
RC2	TxIN21	BI4	BI2
RC3	TxIN22	BI5	BI3
RC4	TxIN24	RSVD	RSVD
RC5	TxIN25	RSVD	RSVD
RC6	TxIN26	DENA	DENA
RD0	TxIN27	RI6	RI4
RD1	TxIN5	RI7	RI5
RD2	TxIN10	GI6	GI4
RD3	TxIN11	GI7	GI5
RD4	TxIN16	BI6	BI4
RD5	TxIN17	BI7	BI5
RD6	TxIN23	(RSVD)	(RSVD)
Ref-RCLK	TxCLKIN	DCLKI	DCLKI

\*) : DS90C383MTD

(D)Color Data Assignment

COLOR	INPUT DATA	R DATA								G DATA								B DATA							
		R7 MSB	R6	R5	R4	R3	R2	R1	R0 LSB	G7 MSB	G6	G5	G4	G3	G2	G1	G0 LSB	B7 MSB	B6	B5	B4	B3	B2	B1	B0 LSB
BASIC COLOR	BLACK	0	0	0	0	0	0	0	0	0	0	0	0	0	0	0	0	0	0	0	0	0	0	0	0
	RED(255)	1	1	1	1	1	1	1	1	0	0	0	0	0	0	0	0	0	0	0	0	0	0	0	
	GREEN(255)	0	0	0	0	0	0	0	0	1	1	1	1	1	1	1	0	0	0	0	0	0	0	0	
	BLUE(255)	0	0	0	0	0	0	0	0	0	0	0	0	0	0	0	1	1	1	1	1	1	1	1	
	CYAN	0	0	0	0	0	0	0	0	1	1	1	1	1	1	1	1	1	1	1	1	1	1	1	
	MAGENTA	1	1	1	1	1	1	1	1	0	0	0	0	0	0	0	1	1	1	1	1	1	1	1	
	YELLOW	1	1	1	1	1	1	1	1	1	1	1	1	1	1	1	0	0	0	0	0	0	0	0	
	WHITE	1	1	1	1	1	1	1	1	1	1	1	1	1	1	1	1	1	1	1	1	1	1	1	
RED	RED(0)	0	0	0	0	0	0	0	0	0	0	0	0	0	0	0	0	0	0	0	0	0	0		
	RED(1)	0	0	0	0	0	0	0	1	0	0	0	0	0	0	0	0	0	0	0	0	0	0		
	RED(2)	0	0	0	0	0	0	1	0	0	0	0	0	0	0	0	0	0	0	0	0	0	0		
	RED(254)	1	1	1	1	1	1	1	0	0	0	0	0	0	0	0	0	0	0	0	0	0	0		
	RED(255)	1	1	1	1	1	1	1	1	0	0	0	0	0	0	0	0	0	0	0	0	0	0		
GREEN	GREEN(0)	0	0	0	0	0	0	0	0	0	0	0	0	0	0	0	0	0	0	0	0	0	0		
	GREEN(1)	0	0	0	0	0	0	0	0	0	0	0	0	0	0	1	0	0	0	0	0	0	0		
	GREEN(2)	0	0	0	0	0	0	0	0	0	0	0	0	0	1	0	0	0	0	0	0	0	0		
	GREEN(254)	0	0	0	0	0	0	0	1	1	1	1	1	1	1	0	0	0	0	0	0	0	0		
	GREEN(255)	0	0	0	0	0	0	0	1	1	1	1	1	1	1	1	0	0	0	0	0	0	0		
BLUE	BLUE(0)	0	0	0	0	0	0	0	0	0	0	0	0	0	0	0	0	0	0	0	0	0	0		
	BLUE(1)	0	0	0	0	0	0	0	0	0	0	0	0	0	0	0	0	0	0	0	0	0	1		
	BLUE(2)	0	0	0	0	0	0	0	0	0	0	0	0	0	0	0	0	0	0	0	0	1	0		
	BLUE(254)	0	0	0	0	0	0	0	0	0	0	0	0	0	0	0	1	1	1	1	1	1	0		
	BLUE(255)	0	0	0	0	0	0	0	0	0	0	0	0	0	0	0	1	1	1	1	1	1	1		

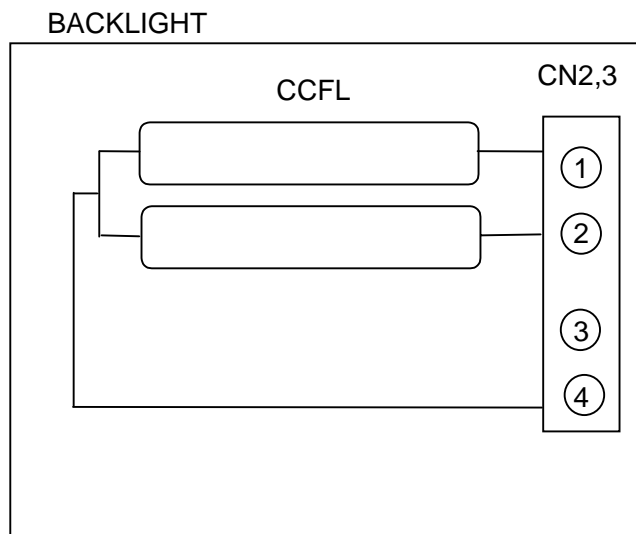
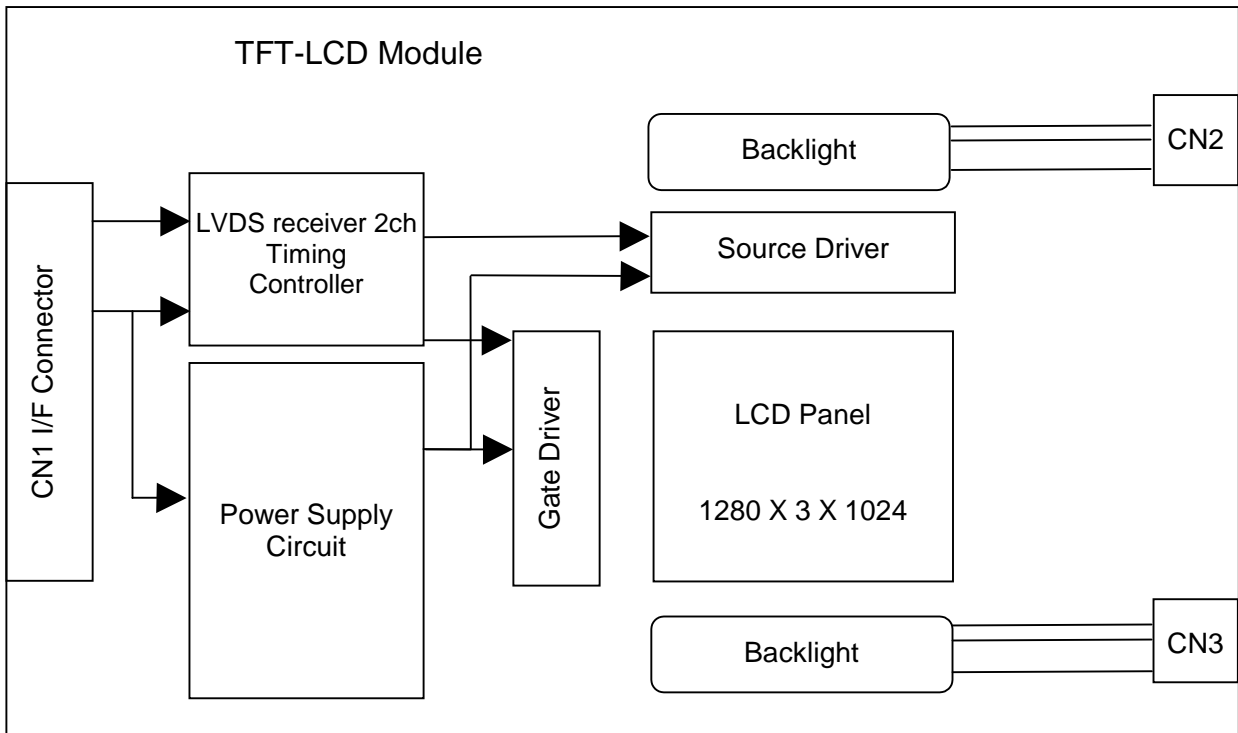
[Note]

- (1)Definition of gray scale:  
 Color(n) : n indicates gray scale level.  
 Higher n means brighter level.
- (2)Data:1-High,0-Low.

(E) Color Data Assignment

D(1,1)	D(2,1)	--	D(X,1)	--	D(1279,1)	D(1280,1)
D(1,2)	D(2,2)	--	D(X,2)	--	D(1279,2)	D(1280,2)
		+	..	+		
D(1,Y)	D(2,Y)	--	D(X,Y)	--	D(1279,Y)	D(1280,Y)
		+	..	+		
D(1,1023)	D(2, 1023)	--	D(X, 1023)	--	D(1279,1023)	D(1280,1023)
D(1,1024)	D(2, 1024)	--	D(X, 1024)	--	D(1279,1024)	D(1280,1024)

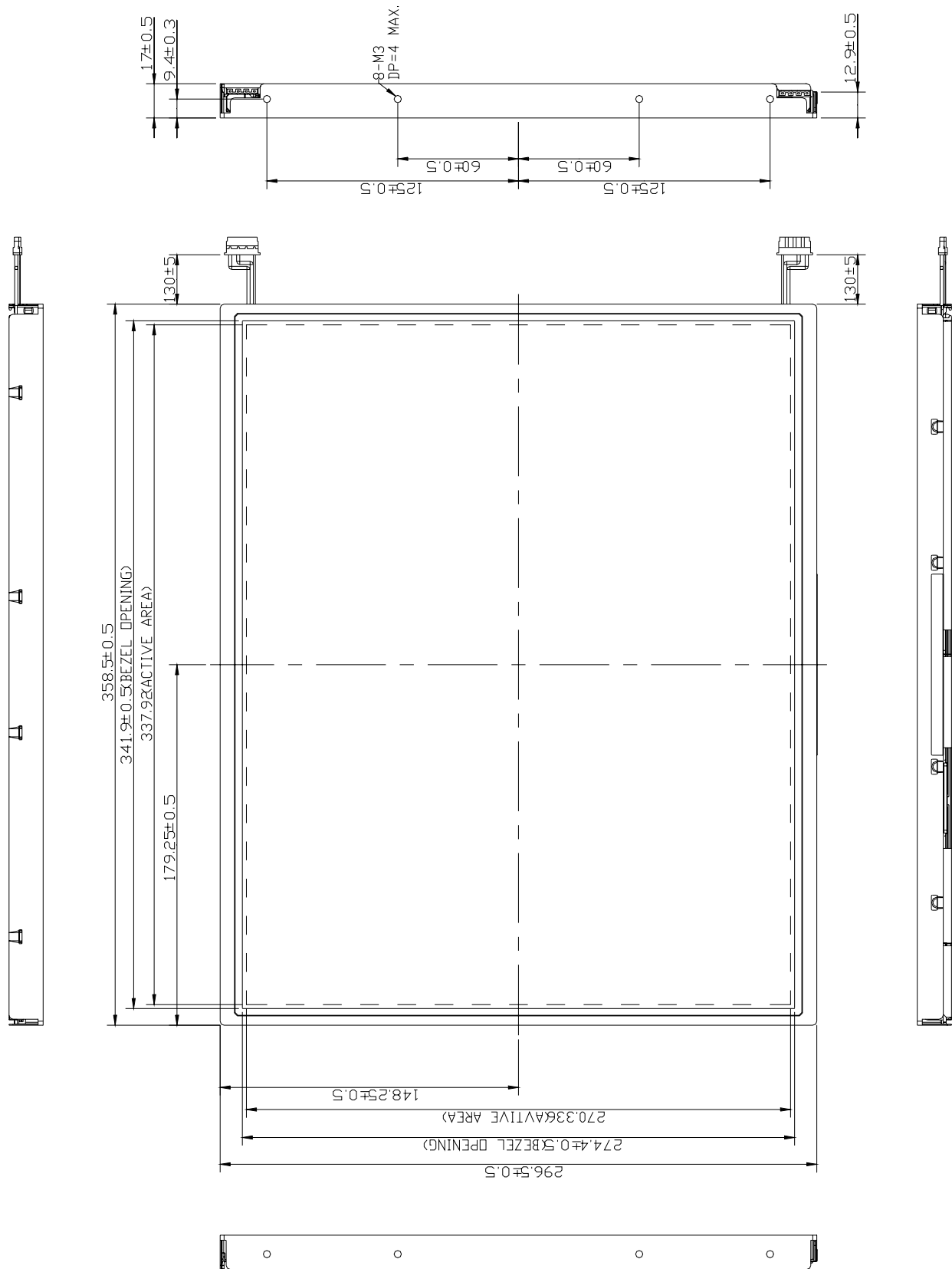
### 6. BLOCK DIAGRAM



7. MECHANICAL SPECIFICATION

(a) Front side

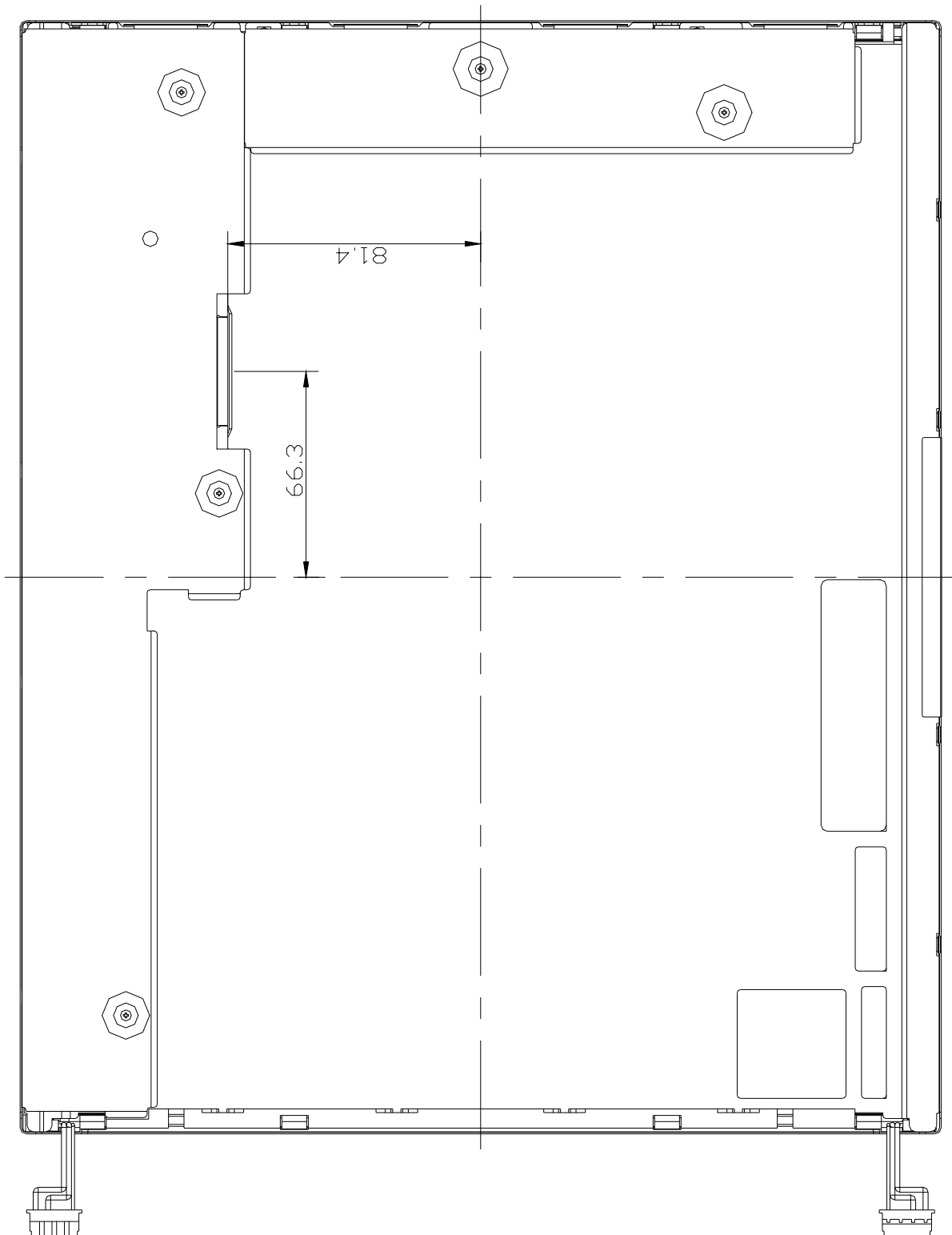
Unit: mm



[Note] Undefined tolerances to be  $\pm 0.5$  mm

(b) Rear side

Unit: mm



[Note] Undefined tolerances to be  $\pm 0.5$  mm

8.OPTICAL CHARACTERISTICS

Ta=25 , VCC=5.0V

ITEM	SYMBOL	CONDITION	MIN.	TYP.	MAX.	UNIT		
Contrast Ratio	CR	$\theta = 0^\circ$	360	450	--	--		
Luminance	Center	L	$\theta = 0^\circ$	240	300	--	cd/m <sup>2</sup>	
	5 point	Normal	L	$\theta = 0^\circ$	230	285	--	
		Uniformity	$\Delta L$	$\theta = 0^\circ$	--	--	15	%
	9 point	Normal	L	$\theta = 0^\circ$	220	275	--	
		Uniformity	$\Delta L$	$\theta = 0^\circ$	75	--	--	%
Response Time	Tr	$\theta = 0^\circ$	--	9	18		ms	
	Tf	$\theta = 0^\circ$	--	16	32		ms	
Image Sticking	Tis	2hour	--	--	2		sec	
Viewing Angle	Horizontal		CR 5	-75~75	-85~85	--	°	
	Vertical	$\theta$		-75~75	-85~85	--	°	
	Horizontal		CR 10	-60~60	-70~70	--	°	
	Vertical	$\theta$		-55~55	-65~65	--	°	
Color Coordinates	White	Wx	$\theta = 0^\circ$	0.283	0.313	0.343	--	
		Wy		0.299	0.329	0.359		
	Red	Rx		0.607	0.637	0.667		
		Ry		0.314	0.344	0.374		
	Green	Gx		0.280	0.310	0.340		
		Gy		0.552	0.582	0.612		
	Blue	Bx		0.113	0.143	0.173		
		By		0.070	0.100	0.130		

[Note] These items are measured using CS-1000 (MINOLUTA) OR BM-5A(TOPCON) under the dark room condition( no ambient light) after more than 30 minutes from turning on the lamp unless noted.

Condition: IL=7.0\*4(lamp)mA, Inverter Frequency=50kHz.

Definition of these measurement items are as follows:

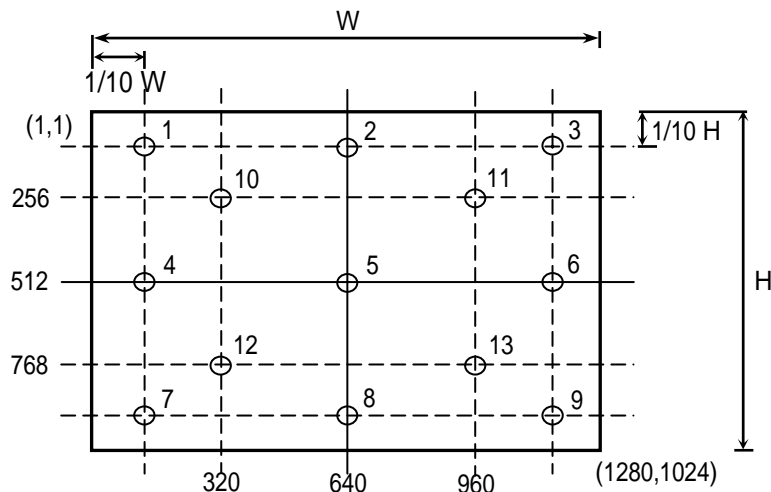
(1)Definition of Contrast Ratio : CR=ON(White)Luminance/OFF(Black)Luminance

(2)Definition of Luminance and Luminance uniformity

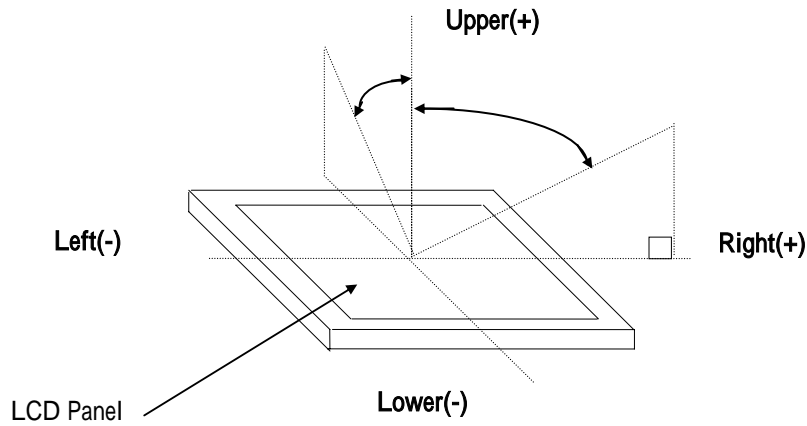
Measure White Luminance on the below center(5) , 5 point(5,10,11,12,13) and 9 point(1~9).

Uniformity : 5 point :  $\Delta L = [(L_{MAX} - L_{MIN}) / L_{MIN}] \times 100\%$

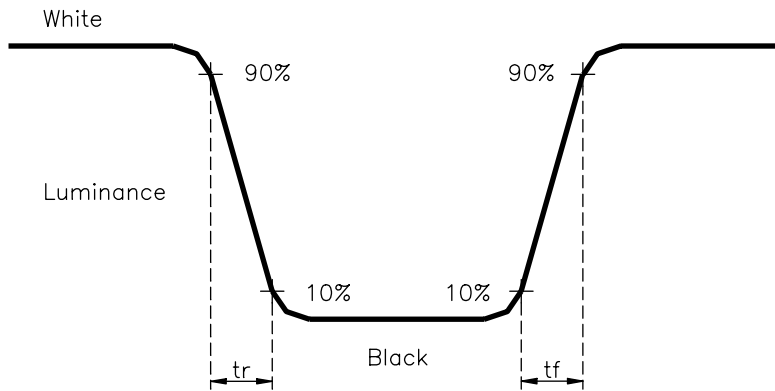
9 point :  $\Delta L = (L_{MIN} / L_{MAX}) \times 100\%$



(3) Definition of Viewing Angle( , )



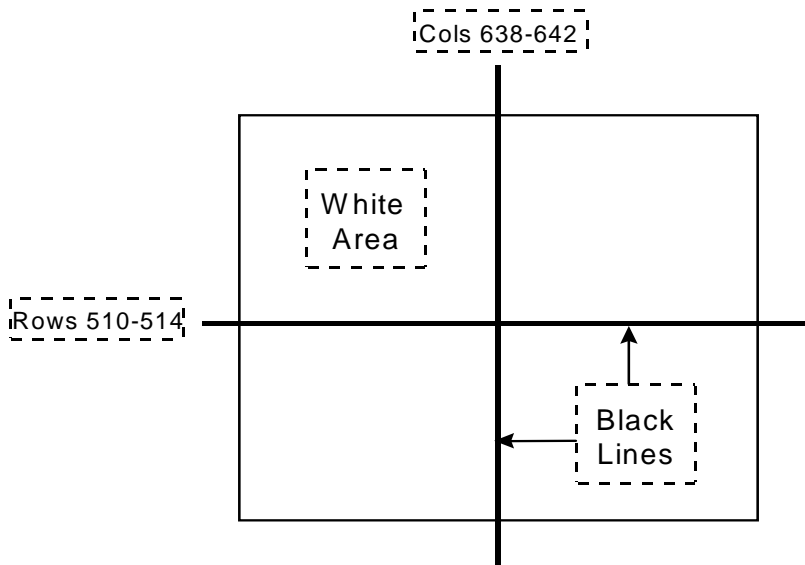
(4) Definition of Response Time



(5) Image sticking:

Continuously display the test pattern shown in the figure below for two-hours. Then display a completely white screen. The previous image shall not persist more than two seconds at 25 .

TEST PATTERN FOR IMAGE STICKING TEST



## 9.RELIABILITY TEST CONDITIONS

### (1)Temperature and Humidity

TEST ITEMS	CONDITIONS
HIGH TEMPERATURE HIGH HUMIDITY OPERATION	40 ; 95%RH; 240h (No condensation)
HIGH TEMPERATURE HIGH HUMIDITY STORAGE	60 ; 90%RH;48h (No condensation)
HIGH TEMPERATURE OPERATION	50 ; 240h
LOW TEMPERATURE STORAGE	-20 ; 240h
THERMAL SHOCK	BETWEEN -20 (1hr)AND 60 (1hr); 100 CYCLES
HIGH TEMPERATURE STORAGE	60 ; 240h
LOW TEMPERATURE OPERATION	0 ; 240h

### (2)Shock & Vibration

ITEMS	CONDITIONS
SHOCK (NON-OPERATION)	Shock level:1470m/s <sup>2</sup> (150G) Waveform: half sinusoidal wave, 2ms Number of shocks: one shock input in each direction of three mutually perpendicular axes for a total of six shock inputs
VIBRATION (NON-OPERATION)	Vibration level: 9.8m/s <sup>2</sup> (1.0G) zero to peak Waveform: sinusoidal Frequency range: 5 to 500 Hz Frequency sweep rate: 0.5 octave/min Duration: one sweep from 5 to 500Hz in each of three mutually perpendicular axis(each x,y,z axis: 1 hour, total 3 hours)

### (3)Judgment standard

The judgment of the above test should be made as follow:

Pass: Normal display image with no obvious non-uniformity and no line defect. Partial transformation of the module parts should be ignored.

Fail: No display image, obvious non-uniformity, or line defects.



## 10. HANDLING PRECAUTIONS FOR TFT-LCD MODULE

Please pay attention to the followings in handling- TFT-LCD products;

### 1 ASSEMBLY PRECAUTION

- (1) Please use the mounting hole on the module side in installing and do not beading or wrenching LCD in assembling. And please do not drop, bend or twist LCD module in handling.
- (2) Please design display housing in accordance with the following guide lines.
  - (2.1) Housing case must be destined carefully so as not to put stresses on LCD all sides and not to wrench module. The stresses may cause non-uniformity even if there is no non-uniformity statically.
  - (2.2) Keep sufficient clearance between LCD module back surface and housing when the LCD module is mounted. Approximately 1.0 mm of the clearance in the design is recommended taking into account the tolerance of LCD module thickness and mounting structure height on the housing.
  - (2.3) When some parts, such as, FPC cable and ferrite plate, are installed underneath the LCD module, still sufficient clearance is required, such as 0.5mm. This clearance is, especially, to be reconsidered when the additional parts are implemented for EMI countermeasure.
  - (2.4) Design the inverter location and connector position carefully so as not to give stress to lamp cable, or not to interface the LCD module by the lamp cable.
  - (2.5) Keep sufficient clearance between LCD module and the others parts, such as inverter and speaker so as not to interface the LCD module. Approximately 1.0mm of the clearance in the design is recommended.
- (3) Please do not push or scratch LCD panel surface with any-thing hard. And do not soil LCD panel surface by touching with bare hands. (Polarizer film, surface of LCD panel is easy to be flawed.)
- (4) Please do not press any parts on the rear side such as source TCP, gate TCP, control circuit board and FPCs during handling LCD module. If pressing rear part is unavoidable, handle the LCD module with care not to damage them.
- (5) Please wipe out LCD panel surface with absorbent cotton or soft cloth in case of it being soiled.
- (6) Please wipe out drops of adhesives like saliva and water on LCD panel surface immediately. They might damage to cause panel surface variation and color change.
- (7) Please do not take a LCD module to pieces and reconstruct it. Resolving and reconstructing modules may cause them not to work well.
- (8) Please do not touch metal frames with bare hands and soiled gloves. A color change of the metal frames can happen during a long preservation of soiled LCD modules.
- (9) Please pay attention to handling lead wire of backlight so that it is not tugged in connecting with inverter.

### 2 OPERATING PRECAUTIONS

- (1) Please be sure to turn off the power supply before connecting and disconnecting signal input cable.
- (2) Please do not change variable resistance settings in LCD module. They are adjusted to the most suitable value. If they are changed, it might happen LCD does not satisfy the characteristics specification.
- (3) Please consider that LCD backlight takes longer time to become stable of radiation characteristics in low temperature than in room temperature.
- (4) A condensation might happen on the surface and inside of LCD module in case of sudden change of ambient temperature.
- (5) Please pay attention to displaying the same pattern for very long time. Image might stick on LCD. If then, time going on can make LCD work well.
- (6) Please obey the same caution descriptions as ones that need to pay attention to ordinary electronic parts.

### 3 PRECAUTIONS WITH ELECTROSTATICS

- (1) This LCD module uses CMOS-IC on circuit board and TFT-LCD panel, and so it is easy to be affected by electrostatics. Please be careful with electrostatics by the way of your body connecting to the ground and so on.
- (2) Please remove protection film very slowly on the surface of LCD module to prevent from electrostatics occurrence.

### 4 STORAGE PRECAUTIONS

- (1) When you store LCDs for a long time, it is recommended to keep the temperature between 0 ~40 without the exposure of sunlight and to keep the humidity less than 90%RH.
- (2) Please do not leave the LCDs in the environment of high humidity and high temperature such as 60 ~90%RH.
- (3) Please do not leave the LCDs in the environment of low temperature; below -20 .

### 5 SAFETY PRECAUTIONS

- (1) When you waste LCDs, it is recommended to crush damaged or unnecessary LCDs into pieces and wash them off with solvents such as acetone and ethanol, which should later be burned.
- (2) If any liquid leaks out of a damaged-glass cell and comes in contact with the hands, wash off thoroughly with soap and water.

### 6 OTHERS

- (1) A strong incident light into LCD panel might cause display characteristics' changing inferior because of polarizer film, color filter, and other materials becoming inferior. Please do not expose LCD module direct sunlight and strong UV rays.
- (2) Please pay attention to a panel side of LCD module not to contact with other materials in preserving it alone.
- (3) For the packaging box, please pay attention to the followings:
  - (3.1) Packaging box and inner case for LCD are designed to protect the LCDs from the damage or scratching during transportation. Please do not open except picking LCDs up from the box.
  - (3.2) Please do not pile them up more than 5 boxes. (They are not designed so.) And please do not turn over.
  - (3.3) Please handle packaging box with care not to give them sudden shock and vibrations. And also please do not throw them up.
  - (3.4) Packing box and inner case for LCDs are made of cardboard. So please pay attention not to get them wet. (Such like keeping them in high humidity or wet place can occur getting them wet.)